



Protect Your Road Trip and Record Fun On The Way

## INNOVV N2 Navigation & Camera System

Intended For Powersports (Motorcycle, ATVs, UTVs & Others)  
www.innovv.com | shop.innovv.com

## INNOVV N2 Product Overview

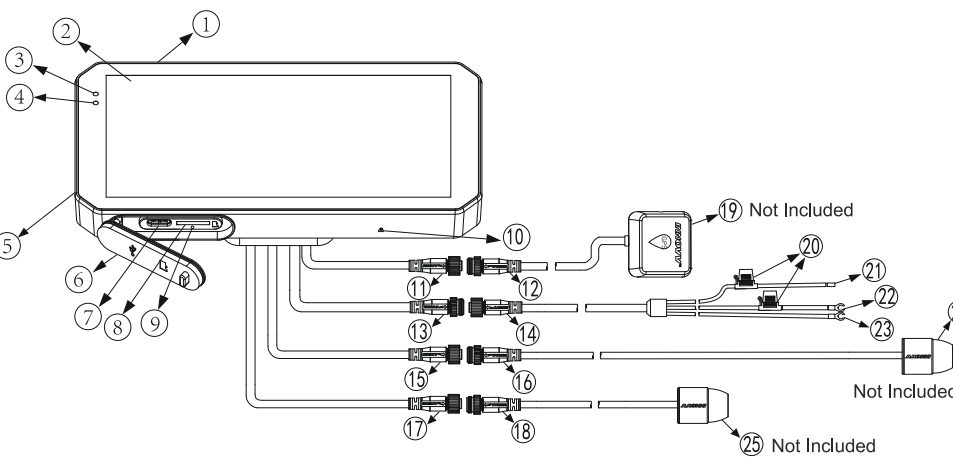
INNOVV N2 is a dedicated motorcycle smart riding system, that integrate dual-channel 2K 30fps video recording, supporting mobile phone integration (iOS Car Play, Android Auto), offering rear-view streaming assistance, video playback, parking monitoring, and high-definition, high-brightness, full-screen touch interface. Built with an aluminum body for increased durability, it features two compact and easy-to-install cameras. The practical mobile connectivity features provide simple and effective solutions to the challenges of using the mobile phone while riding. Navigating maps, accessing information, or handling calls becomes seamless with the 5.99-inch full-screen touchscreen, enhancing every aspect of your ride and capturing all the thrilling moments effortlessly.

### Product Features:

- 5.99-inch high-brightness, high-definition full-screen touch interface.
- Mobile phone connectivity (iOS CarPlay, Android Auto).
- Dual front and rear cameras with 2K 30FPS recording.
- Rear-view streaming media assistance.
- F1.8 large aperture ultra-high-definition all-glass lens, effectively improving image quality and reducing distortion.
- H.265 high-efficiency video coding technology.
- Supports up to 256GB storage cards.
- Dual-band WIFI solution, with the 5.8G band offering higher transmission rates and stability.
- Practical tire pressure monitoring system.
- The whole device is waterproof with an IP67 rating, meeting outdoor rain and dustproof requirements.



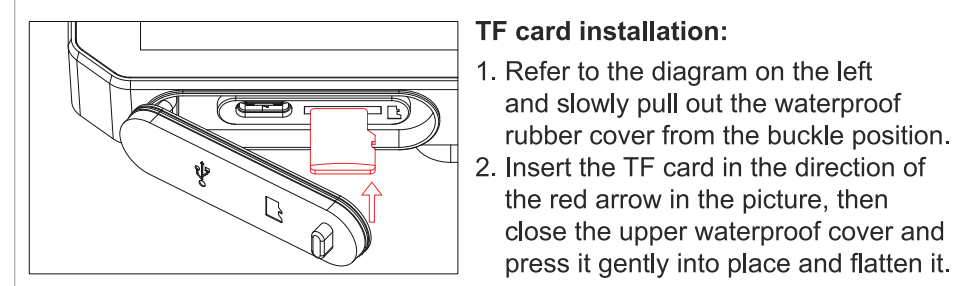
## Brief Introduction



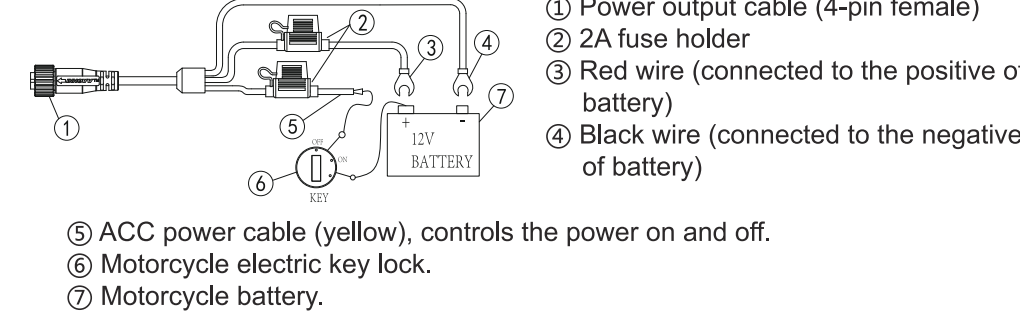
- DVR
- Touchscreen Display
- Light sensor
- Signal light
- Speakers
- Protective Cover
- Data Interface
- TF Card Slot
- Microphone
- GPS Cable Connector to Main Unit (4-pin female)
- GPS Cable Connector to Main Unit (4-pin male)
- Power Cable Connector to Main Unit (4-pin female)
- Power Cable Connector to Main Unit (4-pin male)
- Power output cable (4-pin female)
- 2A fuse holder
- Red wire (connected to the positive of battery)
- Black wire (connected to the negative of battery)
- ACC Wire (Yellow wire, provides 12V switched power after the vehicle is started)
- Power Positive Terminal (Red wire)
- Power Negative Terminal (Black wire)
- Rear Camera
- Front Camera

## Installation Guide

### TF-Card Instructions & Installation



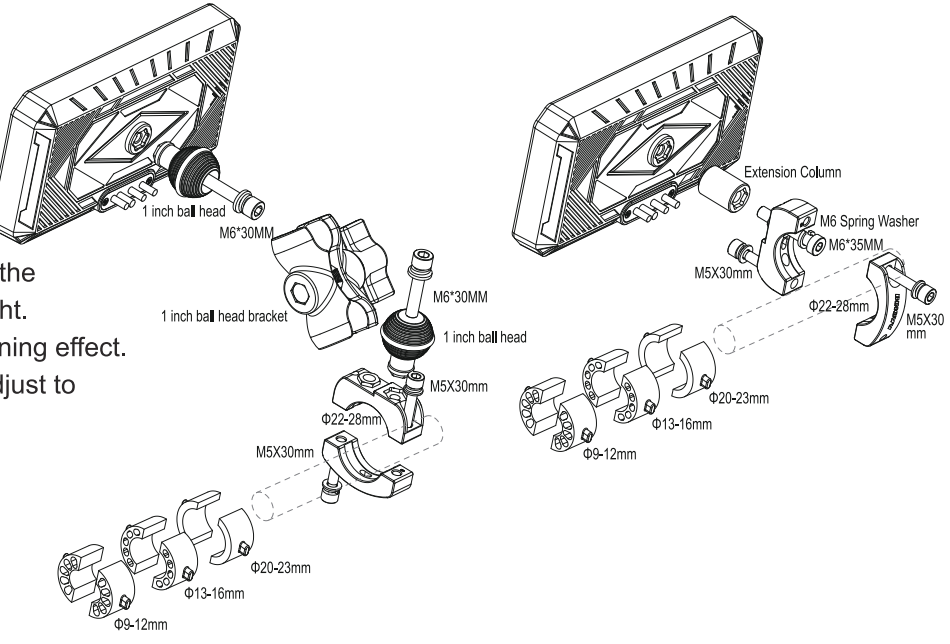
### Power Connection



### Installation Guide of The DVR Bracket

- Installation Guide:**
- Take out the corresponding mount accessories and tools from the accessory package according to the diagram on the right.
  - Confirm the suitable position where the motorcycle can install the equipment, and then find the stable support rod of the original vehicle. Trial whether the installation is in line with your sight.
  - Match the rubber ring according to the diameter of the support rod to achieve the best fastening effect.
  - Please fix the mount on the motorcycle support rod first, then install the DVR display and adjust to the suitable viewing angle, and then tight the mount screws.

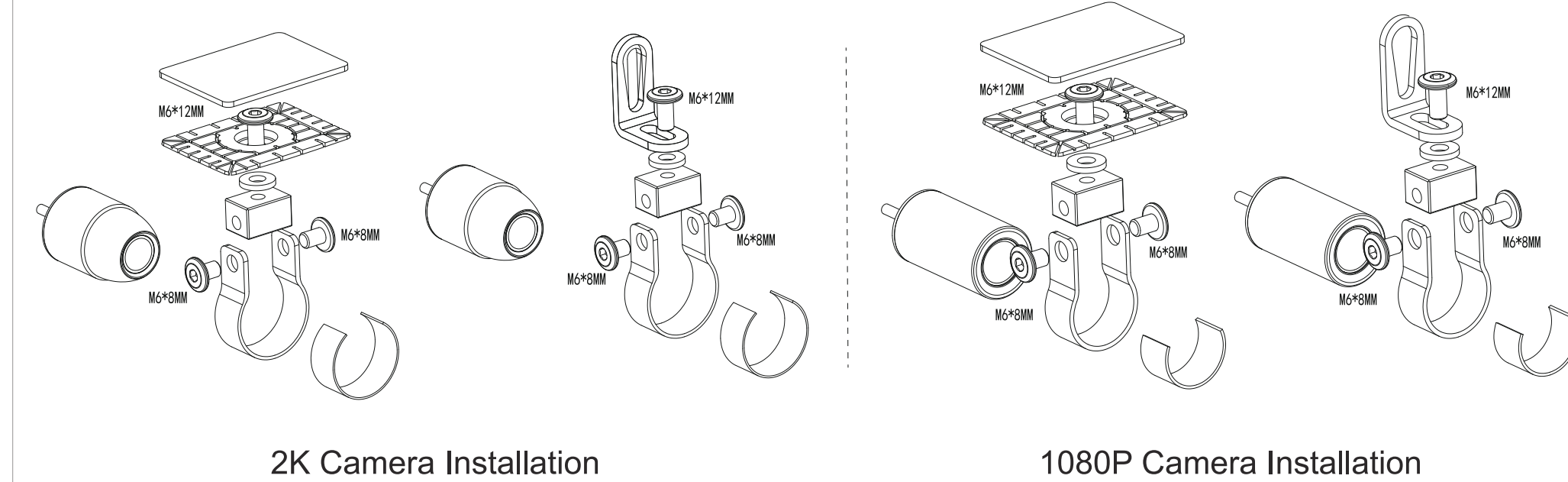
- Helpful Tips:**
- Please read the instructions carefully before installing. Understand product features and instructions for use, and check the packing list for accessories.
  - Confirm whether the vehicle meets the power supply requirements of the equipment. Testing the equipment first and then installing and fixing the equipment to the vehicle.



www.innovv.com

## Optional Accessories

The N2 Carplay can adapt to 1080P and 2K camera video input. The following are the appearance and bracket installation instructions of the two cameras.

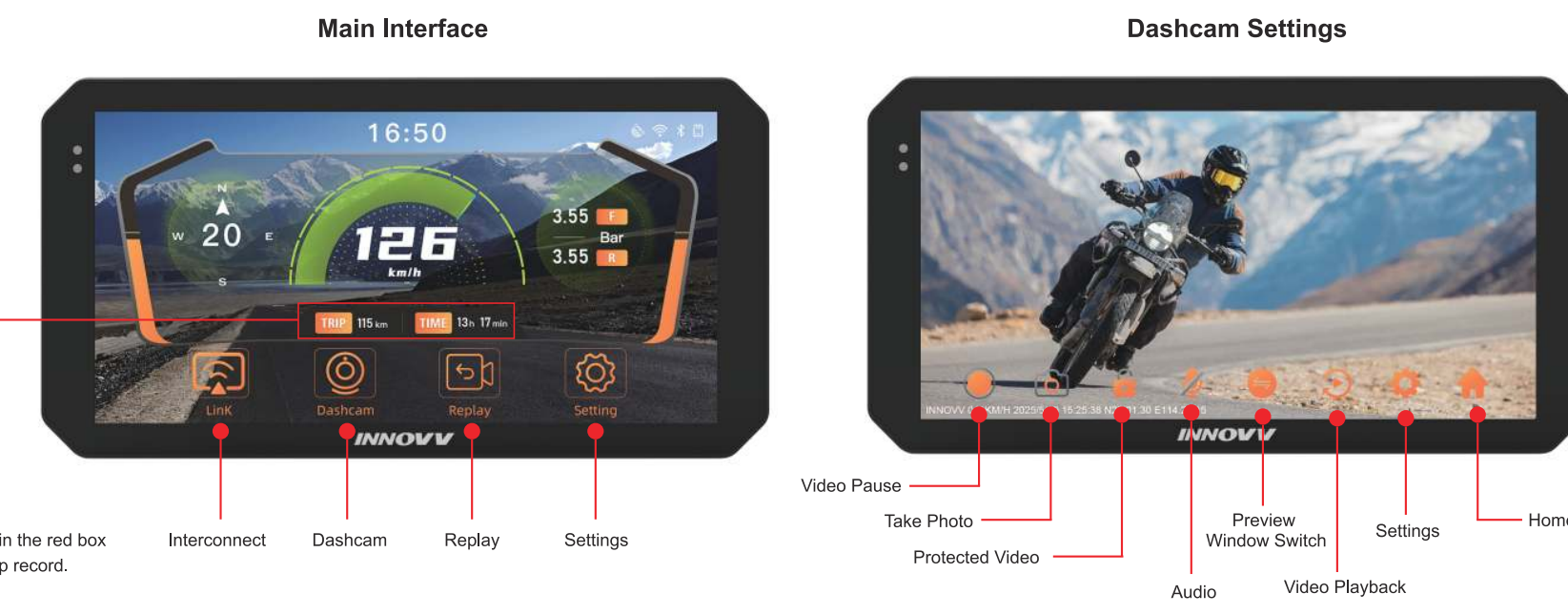


### GPS antenna installation method:

- The GPS module LOG side must face up to the sky, and the module surface cannot be blocked by metal objects.
- Use 3M glue to stick it to a suitable fixed position, and pay attention to the surrounding electromagnetic radiation, such as engines, radio equipment, etc.

## Functional Description

### System Interface Introduction



www.innovv.com



Protect Your Road Trip and Record Fun On The Way

## INNOVV N2 Navigation & Camera System

Intended For Powersports (Motorcycle, ATVs, UTVs & Others)  
www.innovv.com | shop.innovv.com

## Functional Description

### Power Indicator Instructions

- Red light flashing: No card or card error
- Green light steady: Recording stopped
- Green light slow flash: Recording in progress
- Green light rapid flash: Video protected

### Personalized Settings Instructions

In the system settings, open the "D/V" menu, where you can adjust screen brightness, volume, switch between phone and device sound, toggle notification sounds, and change the wallpaper.

### Explanation of Real-Time Speed Display, Trip Mileage, and Fatigue Driving Alert Functions

The 2-hour fatigue driving alert and the speed unit switch between KM and MILES can be adjusted in the system settings under the "More" menu.

### How to Perform an OTA (Over-the-Air) Update

On the home page, open the LINK menu and select the "Update" option. Tap "WiFi Connection" to choose a Wi-Fi hotspot with internet access, then tap "Check Updates" to start downloading the firmware. Please wait patiently for a few minutes. Once the download is complete, the system will update automatically and restart. (Note: The Wi-Fi hotspot can be provided by your phone. The upgrade speed mainly depends on the time required to download the firmware, which is determined by the signal quality of the Wi-Fi hotspot. Please wait patiently.)

## APP Download & Setting Instructions

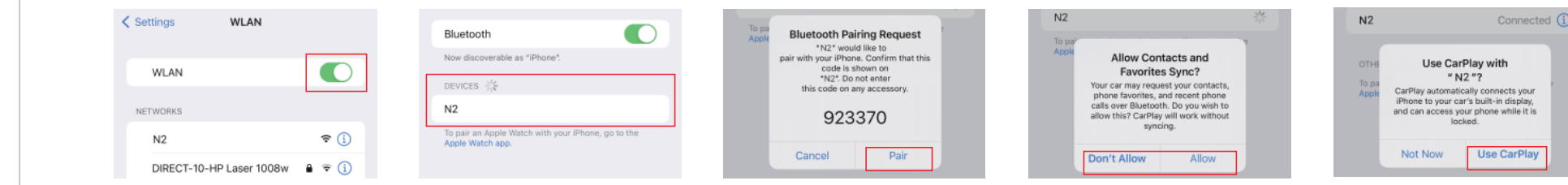
- Scan the corresponding system APP QR code with your mobile phone and install it.
- Please allow the APP to access location information, network permissions, and all photo gallery access during installation. This grants the necessary permissions for the APP to function properly.
- Follow the prompts to connect to the N2 device's Wi-Fi hotspot, and enter the correct password: 12345678.



## Mobile Phone Connection Steps

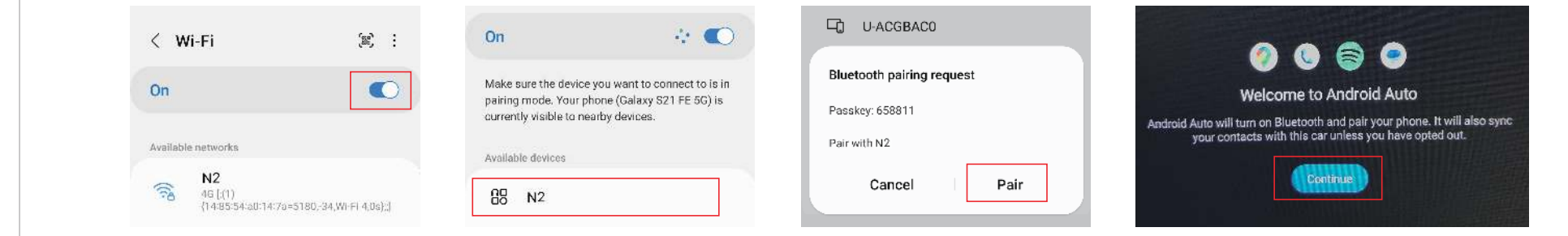
### IOS Users:

- Click on the main screen.
- Enable both Wi-Fi and Bluetooth on your phone simultaneously. Search for the Bluetooth device named N2 and actively connect to it.
- Once the device is connected, your phone will prompt you to pair via Bluetooth. Select "Pair" and, when prompted, choose whether to allow synchronization of contacts and favorites. After a moment, please select "Use CarPlay while driving" to complete the device connection.
- The CarPlay interface will be displayed on the screen. You can exit the CarPlay interface by pressing the Home button.



### Android Users:

- Click on the main screen.
- Turn on Wi-Fi and Bluetooth at the same time on your phone, and search for a device with the Bluetooth name N2, and then click on this device to connect.
- The phone will prompt a Bluetooth pairing request once the device is connected, please select pairing. Then please select Continue when the display prompts "Welcome to use Android Auto", at this time, the device has completed the connection.
- The Android Auto interface will be displayed on the screen. You can exit the Android Auto interface by pressing the icon.



www.innovv.com

### 1. Navigation Voice Instructions:

N2 is equipped with a speaker, which can be turned on in: Setting - "D/V" menu option. Since the built-in speaker has low power, it is recommended to connect an external Bluetooth headset. (Note: When using a Bluetooth headset, the Bluetooth headset needs to be connected to your mobile phone. N2 does not support Bluetooth headset connection)

### 2. TF Card Instruction

The N2 supports TF cards with a capacity from 16GB to 256GB. The selected TF card should have a writing speed higher than U3.

### 3. Rear-View Streaming Auxiliary Instruction

Click the "Dash Cam" on the display, enter into the video surveillance mode, it is allowed to slide left or right to choose and check the real-time rear-view recording video.

### 4. Restart the N2 System

Open the waterproof cover on the bottom of the DVR, find the hole near the TF card slot, and press it once with a needle stick to restart the system.

### 5. Instructions for switching between 1080P and 2K cameras

When you find that the preview video on the screen is displayed incorrectly, no worries. You can open the Dashcam-settings-Resolution to switch to the camera specification of 2K or 1080P. Click confirm to restart. Please check whether the preview video is normal.

### 6. Parking Mode Instruction

- If the parking monitoring mode is turned on, the N2 system will provide all-day protection when the ignition is off. The N2 system adopts smart power management, when the built-in G-Sensor detects a collision or movement, the N2 system will wake up and start recording.
- In order to run the parking mode properly, please ensure that the N2 is always connected to the power supply; red wire-positive terminal black wire-negative terminal yellow wire-ACC wire (bike lock power switch).
- Parking monitoring is automatically disabled by the DVR when battery voltage falls under 12.5V, avoiding over-discharge and potential engine start failure.

## Specification

Structure Parameters	Display
Installation	Size
Side Mounted/Front Mounted	5.99 inches
Size of DVR	Resolution
160*85*28mm	1440*720
Weight of DVR	Brightness
350g	800 cd/m²
Color	Aspect Ratio
Black	18:9
Waterproof Rate	Touch Screen
IP67	Capacitive

Specifications		
Processor	A7 Dual-core	Storage Method
RAM	2G	TF Card capacity
Operational System	Linux	U3 16GB-256GB
Operation Method	Finger Touch	Video Format
Maximum Recording Resolution	2560*1440	TS
Bluetooth	Bluetooth5.2	Voltage Input
9-18V		9-18V
Wireless Connection	WiFi (2.4G/5.0G)	ACC Input
9-18V		9-18V
Sensor	G-sensor, Light Sensor	Working Current
12V, 620mA		
Video Encoding	H.265	Stand-by Current
-20uA		
Microphone	-42db	Operating Temperature
		-15°C - +60°C
GPS	10Hz	Storage Temperature
		-20°C - +70°C

Camera Parameters		
	2K	1080P
Maximum Resolution	2K@30FPS	1080P@30FPS
Viewing Angle	120°	120°
Structure	2G+4P+1IR	2G+4P+1IR
Aperture	F1.8	F2.0
Cable Length	F 1M, R 3M	F 1M, R 3M
Weight of Lens	F 75g, R 105g	F 70g, R 100g
Size of Lens	Dia 28*140mm	Dia 25*144mm
Image Sensor	SONY STARVIS IMX335	SONY IMX307

## Packing list

Name	Quantity
DVR and Display	1 pcs
Power Supply Cable	1 pcs
Manual	1 pcs
Screen Mounting Accessory Package	1 pcs

Optional Accessories	
GPS Module	1 pcs
1080P Front Camera	1 pcs
1080P Rear Camera	1 pcs
2K Front Camera	1 pcs
2K Rear Camera	1 pcs
Tire Pressure Sensor	2 pcs

## Troubleshootings

- The camera is shaking while riding, and the videos are jittery. Please check if the camera is parallel to the ground and confirm if the screws are tightened enough.

- The DVR mount gets loose even though the screws are tightened. Please add a silicon plate to strengthen the resistance between the bracket and handlebar.
- The video is blurry. Please check if the lenses are clean without any finger marks, dust, or other smudges, and wipe the lenses with a dust-free cloth.
- The DVR is not working after the motorcycle ignition is on. Please check the yellow ACC wire and other cable connections first.
- The INNOVV N2 fails to record. Please check if the TF card is inserted properly or select another TF card and try again.
- There is no image from the cameras. Please check if the camera connector is loose and if the connection wires are damaged or broken.
- There is no audio in the video. Please check if the microphone is off in the App settings. Please check if the microphone input hole in the DVR is blocked or not.
- CarPlay can't connect. It takes a longer time to connect for the first time. Only iPhone supports Carplay and the system should be iOS13 or above. Check if the phone's WiFi and Bluetooth are turned on. You need to delete the WIFI that is connecting and can't provide a network, such as carlink... Go to the phone settings-General-Carplay Car, delete all the records and reconnect. Restart the phone and reconnect it. Go to Settings-General-Carplay, delete all records and reconnect.
- Android Auto can't connect. It takes longer to connect for the first time. Only Android phones have support for Android Auto and the system has to be Android 11 or above. Check that the phone's WiFi and Bluetooth are turned on. You need to delete the WIFI that is connecting and can't provide a network, such as carlink... Go to phone settings - connected devices - Android Auto - previously connected cars - accepted cars - remove all records and reconnect. Restart your phone and reconnect.
- To use cell phone connectivity. We recommend that the cell phone is located within 2 meters of the main unit, making sure that there are no metal obstacles or sources of interference in the surrounding area.

## Tire Pressure Monitoring System Instructions (Not Included)

- Installation of Tire Pressure Sensor**
- Install the sensor externally on the tire.
  - Unscrew the dust cap from the tire valve.
  - Place the hex nut onto the valve, install the tire pressure sensor, tighten the sensor nut with a wrench, and then lock the hex nut back towards the sensor.



- Tire Pressure Setting Operation**
- Set the tire pressure unit to Bar or Psi as needed.
  - Set the pressure alarm value according to the vehicle model. If the tire pressure exceeds the set value, either too low or too high, a red alert will be triggered.
  - Pairing tire pressure. A corresponds to the front wheels (FRO) and B to the rear wheels (BAC). Install the A tire pressure sensor on the front wheels and pair, then install the B tire pressure sensor on the rear wheels and pair.

Note: If the tire pressure value is not displayed, please re-pair. If you need to replace the sensor, please unpair the old one before pairing a new tire pressure sensor.

## Notices

- Please wear the gloves with touchscreen function when you need to wear gloves to operate the N2.
- Please follow the manual to install the TF card to avoid damage to the Smart screen N2 or TF card due to incorrect operation.
- Please ensure the vehicle power supply is 12V DC to prevent issues such as failure to start up, automatic shutdown, or potential damage to the intelligent screen recorder due to power supply problems.
- When installing the main unit and wiring harness, keep them away from heat sources and electromagnetic interference to prevent malfunctions in the N2.
- Before connecting the connector, check if the waterproof sealing ring is intact and in place to prevent water ingress, loosening, and other issues.
- Please select a TF card with a writing speed higher than U3, unqualified TF cards may not work properly.
- INNOVV N2 is a high-precision product that should not be dropped or severely impacted.

## Customer Support

For more information about INNOVV products and accessories, please refer to www.innovv.com or www.innovv.com. For any suggestions or customer support, please contact us by sending an E-mail to cs@innovv.com.

Hereby, INNOVV Tech Co., LTD declares that the radio equipment type N2 is in compliance with Directive 2014/53/EU. The full text of the EU declaration of conformity is available at the following internet address: www.innovv.com/N2

**Disposal of Electrical & Electronic Equipment (WEEE):**  
The crossed-out garbage can symbol on the product, literature, or packaging reminds you that all electrical and electronic products, batteries, and accumulators must be taken to separate collection at the end of their working life. This requirement applies to the European Union and other locations where separate collection systems are available. To prevent possible harm to the environment or human health from uncontrolled waste disposal, please do not dispose of the products as unsorted municipal waste, but hand it in at an official collection point for recycling.  
WEEE often contains sensitive personal data. This applies in particular to information and telecommunications technology devices such as computers and smartphones. In your own interest, please note that each end user is responsible for deleting the data on the WEEE that is to be disposed of.



www.innovv.com

570\*420mm