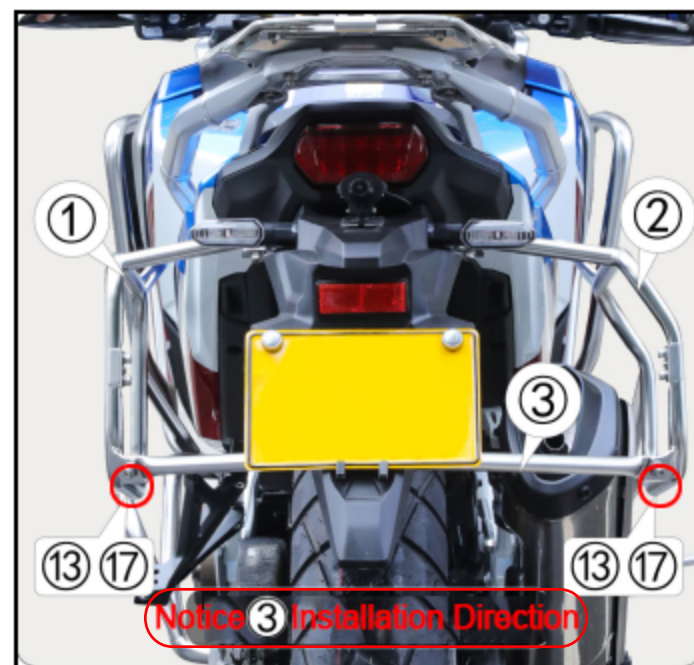


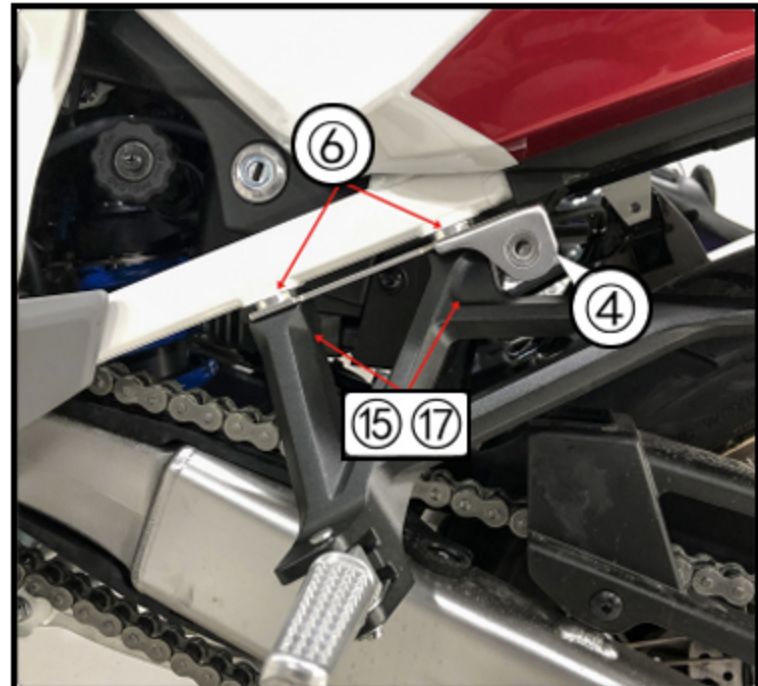
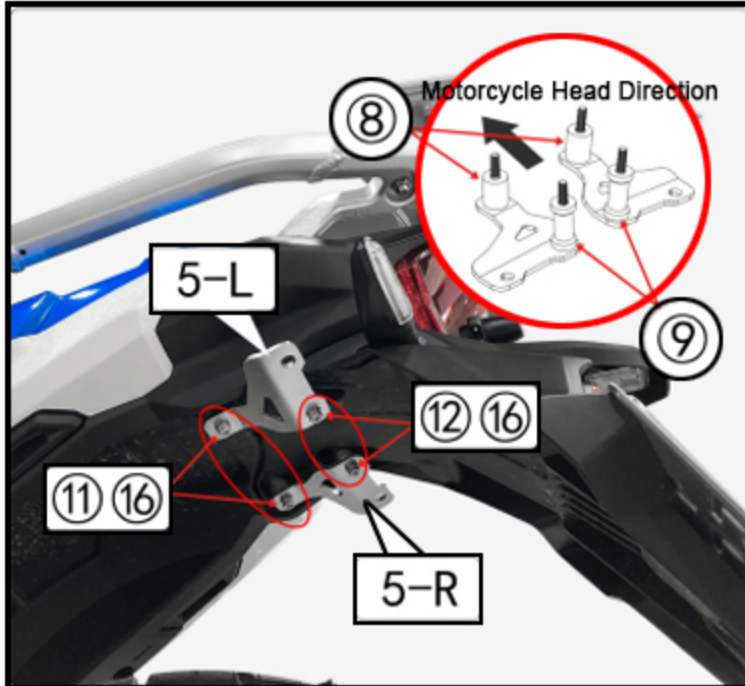


HONDA CRF1100L Africa Twin(2020)Side Rack Installation Guide

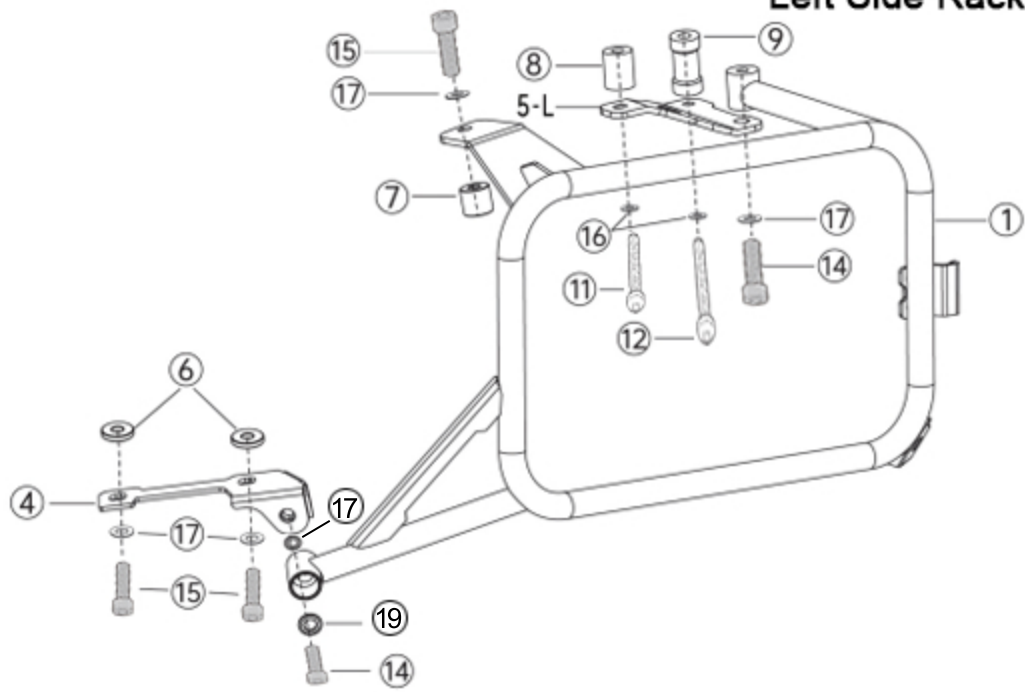


Notice:

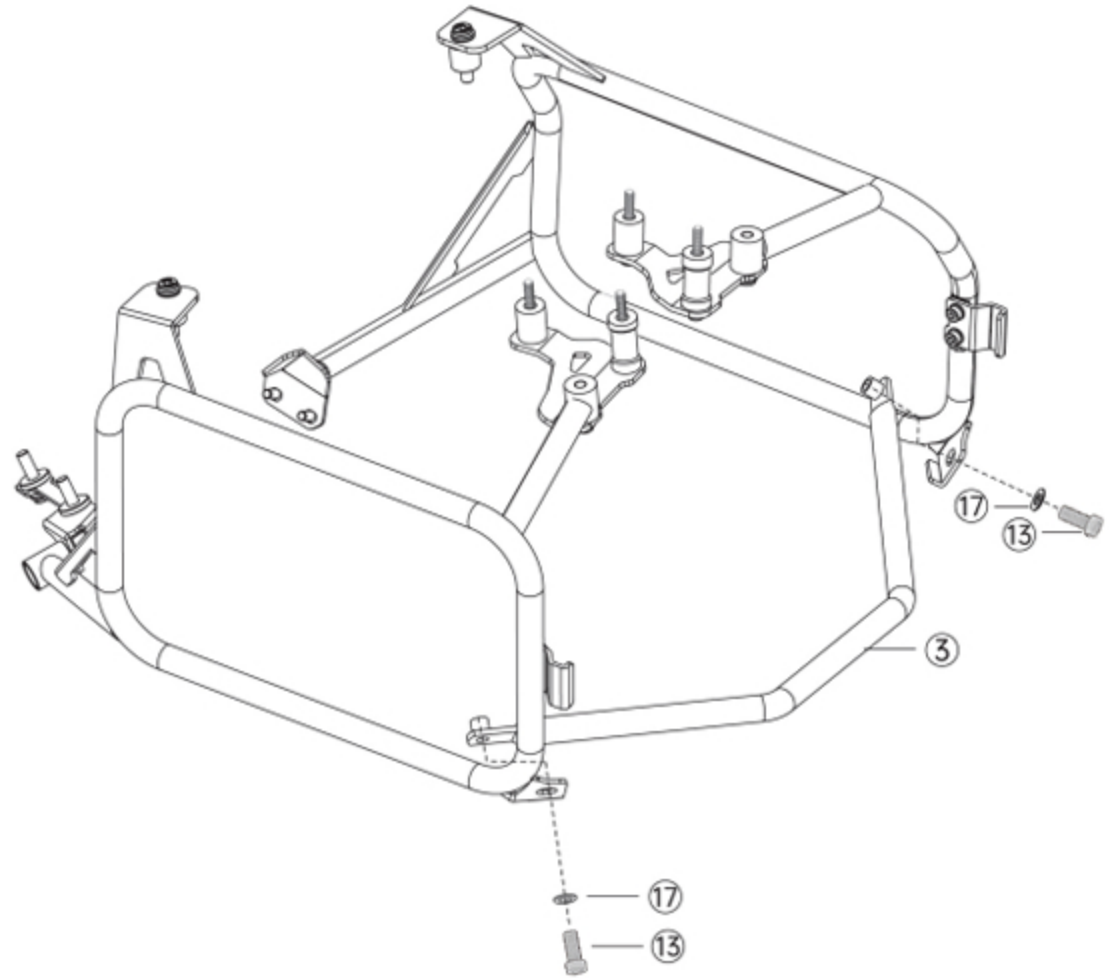
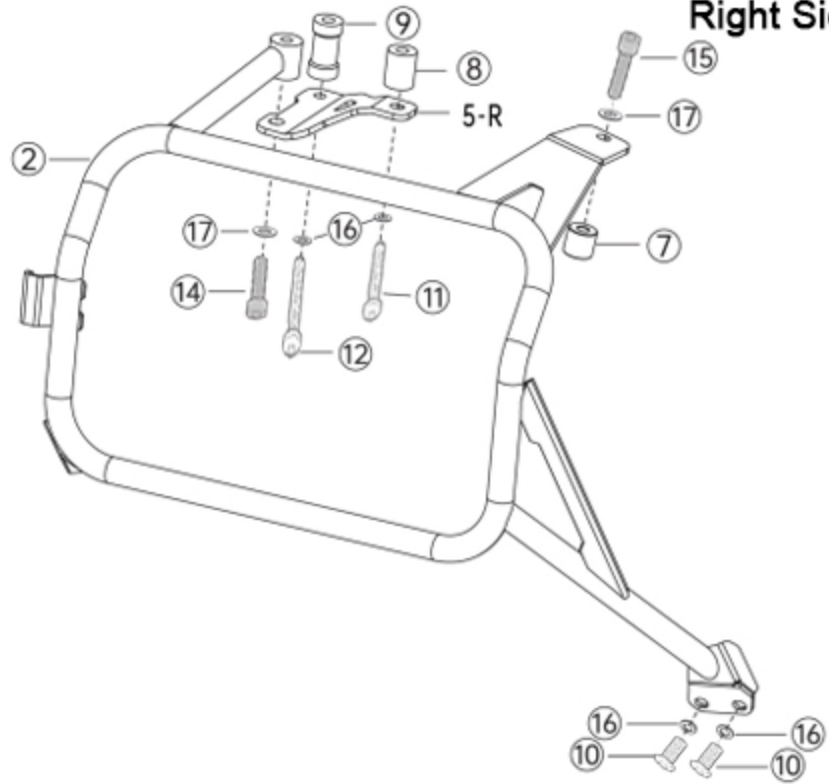
1. Please read the installation instructions carefully before installation.
2. Do not tighten the fixing screws before installing each component in turn, Tighten all screws after all components are installed.
3. Check the fixing screws of each component regularly.



Left Side Rack



Right Side Rack





HONDA CRF1100L Africa Twin(2020)Side Rack Screw List

<p>①</p>	<p>②</p>	<p>③</p>	<p>④</p>	<p>⑤</p>	<p>⑥</p>	
Side Rack (L) 1 PC	Side Rack (R) 1 PC	Side Rack Bridge 1 PC	Left Foot Piece 1 PC	Left & Right Connecting Plate 2 PCS	M8Xφ22X4mm 2 PCS	
<p>⑦</p>	<p>⑧</p>	<p>⑨</p>	<p>⑩</p>	<p>⑪</p>	<p>⑫</p>	
M8Xφ20X18mm 2 PCS	M8Xφ20X25mm 2 PCS	M8Xφ20X40mm 2 PCS	M6x16mm 2 PCS	M6x50mm 2 PCS	M6x65mm 2 PCS	
<p>⑬</p>	<p>⑭</p>	<p>⑮</p>	<p>⑯</p>	<p>⑰</p>	<p>⑱</p>	<p>⑲</p>
M8x20mm 2 PCS	M8x30mm 3 PCS	M8x35mm 4 PCS	M6 Gasket 6 PCS	M8 Gasket M8Xφ20X2mm 11 PCS	M8 Self-locking nut 2 PCS	M8 Gasket M8Xφ16X2mm 1 PC