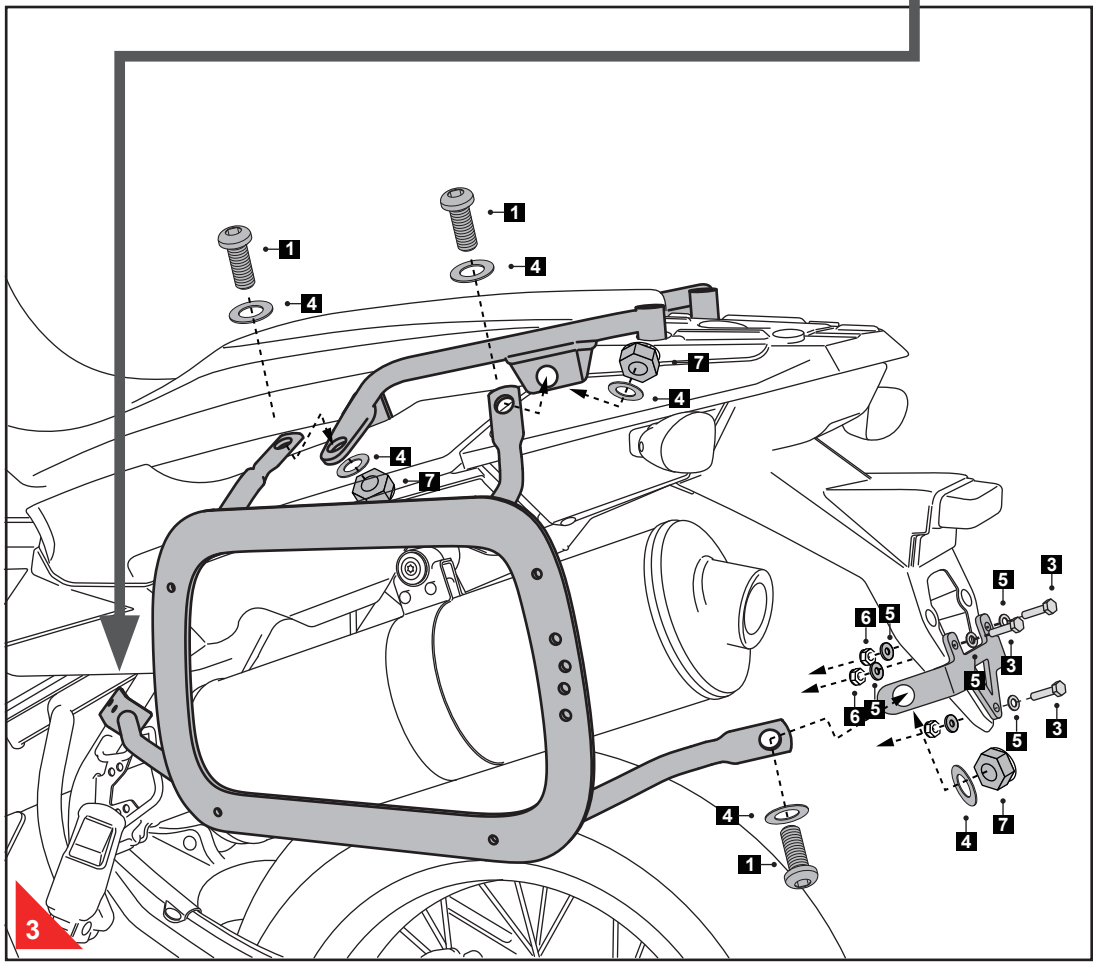
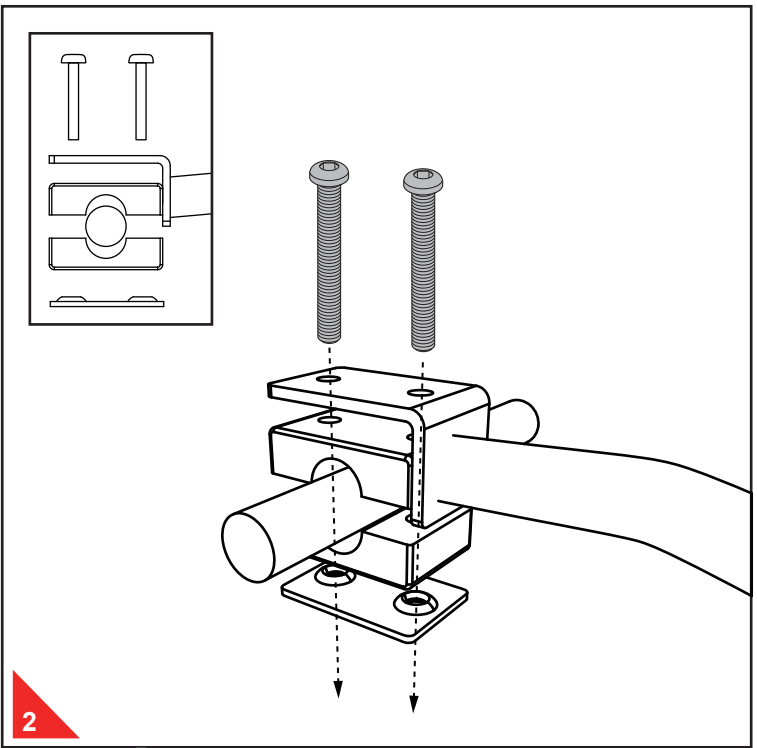
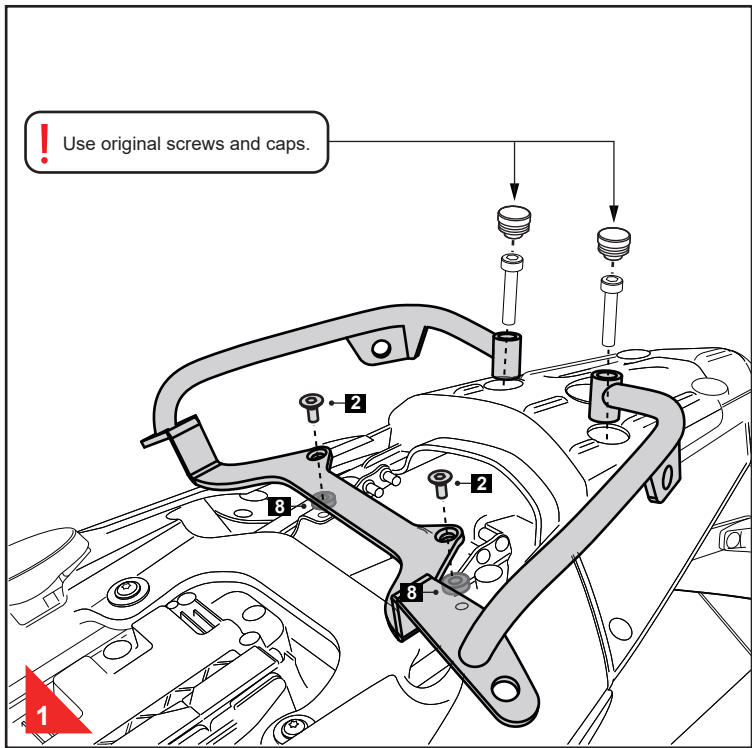


R-bm008

BMW F800GS/F650GS SIDE RACK

! Use original screws and caps.



M8*20 6 pcs	hexagon socket screw		1
M8*25 2 pcs	countersunk screw		2
M6*25 3 pcs	hexagon socket screw		3
Φ8 12 pcs	washer		4
Φ6 8 pcs	washer		5
M6 3 pcs	lock nut		6
M8 6 pcs	lock nut		7
Φ8 H10 2 pcs	spacer		8

